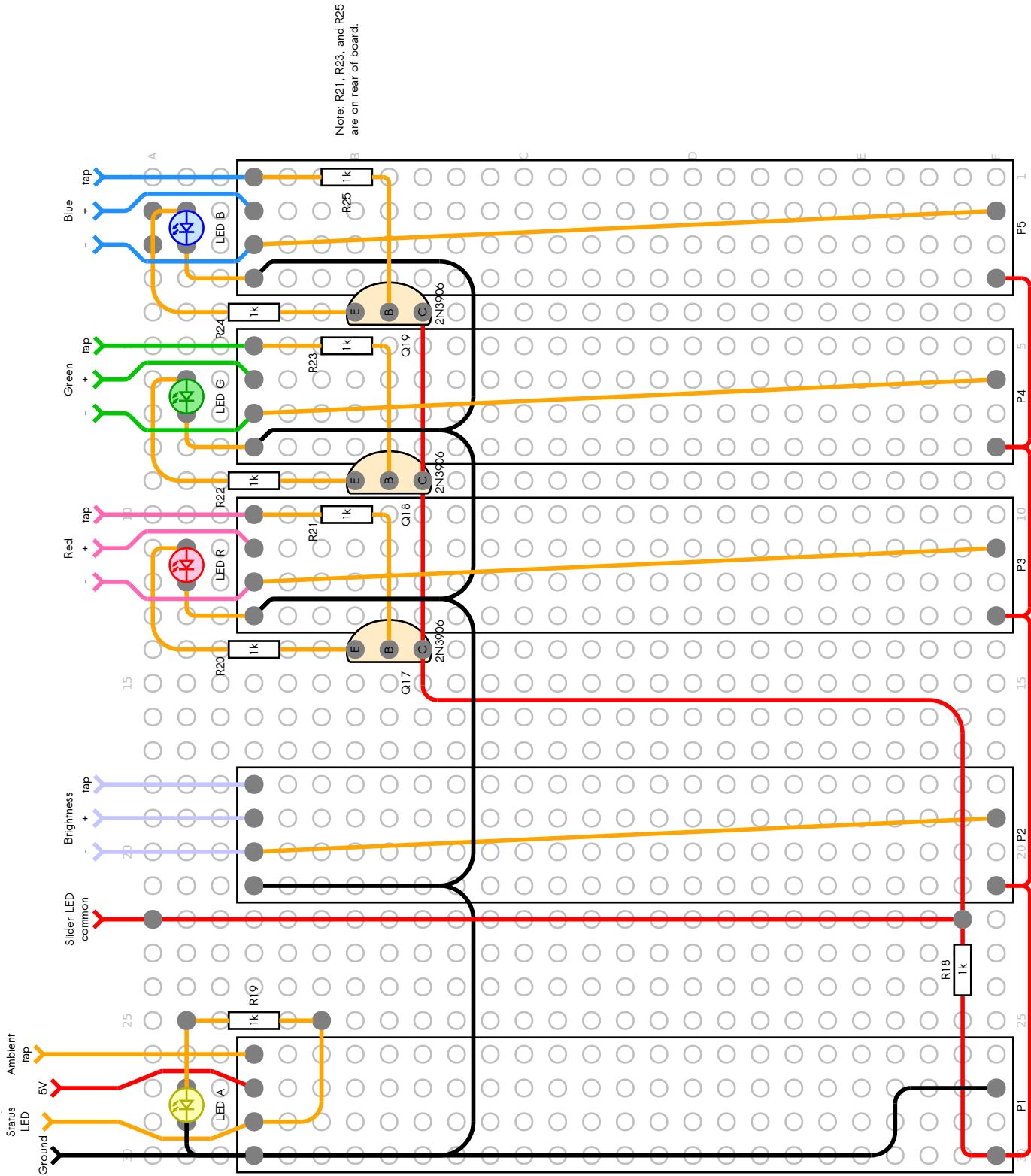


Top of board

Suggested parts:

- Resistors:**
 10x 1k 2W (R1-R10)
 11x 1k 600mW (all others)
 2x 10k 600mW
 1x 100k 600mW
 5x 100k linear potentiometer with LED Bourne PTL45-1500-104B1
- Capacitors:**
 C1 470pF
 C2 3.3nF
 C3 10nF
 C4 47nF
- Transistors:**
 7x KSD5041RTA NPN BJT 20V 5A
 10x 2N3906BU PNP BJT 40V 200mA
 2x 5S8050CBU NPN BJT 40V 1.5A
- Diodes:**
 8x 1N4148-T general purpose
- LEDs (diffused):**
 1x red (e.g. TLUR6400 15mcd 10mA)
 1x green (e.g. TLHG5405 15mcd 10mA)
 1x blue (e.g. TLHB5400 15mcd 10mA)
 1x amber (e.g. SSL-LX5093AD 30mcd 30mA)
- ICs:**
 4x LM555 timer
 1x LM2903 dual analog comparator
 5x 8-pin socket (optional)
- Power supply:**
 1x LD1117V50-DG 5V 800mA LDO
- Connectors:**
 9x right-angle pin header
 1x 2.1mm plug
 1x 2.1mm right-angle jack (e.g. Adafruit 393)
- Sensors:**
 1x Phototransistor (e.g. OED-PCC-9PS-1L)
 1x PIR motion sensor (e.g. Adafruit 189) (see separate schematic)
- Circuit boards:**
 1x Radioshack 276-168B
 1x Radioshack 276-158B
- Case:**
 1x Large hinged box
 Container Store 10054860
- Mounting hardware (all nylon):**
 4x 5/8" 6/32 bolt (binding head)
 4x 3/8" 6/32 bolt (binding head)
 8x 6/32 hex nuts
 4x 1/8", 0.14" ID standoff
 4x 1/4", 0.14" ID standoff
- Wire:**
 22AWG stranded recommended for connecting the boards



Note: R21, R23, and R25 are on rear of board.

